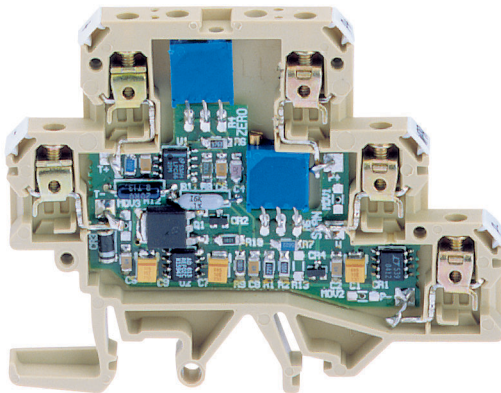


picoPak™ Potentiometer Transmitter



The picoPak™ Potentiometer Transmitter is just 6mm wide and acts as a 2 wire (loop powered) interface for position sensing potentiometers.

Features include:

- mounts on 32mm and 35mm DIN rails
- span and zero adjustments
- open wiper detection
- input compensated for temperature drift

United States

Weidmuller Inc.
821 Southlake Blvd.
Richmond, Virginia 23236
Telephone: (800) 849-9343
Facsimile: (804) 379-2593
Email: info@weidmuller.com
Website: www.weidmuller.com

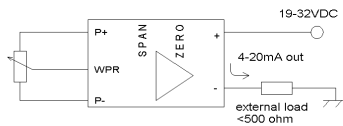
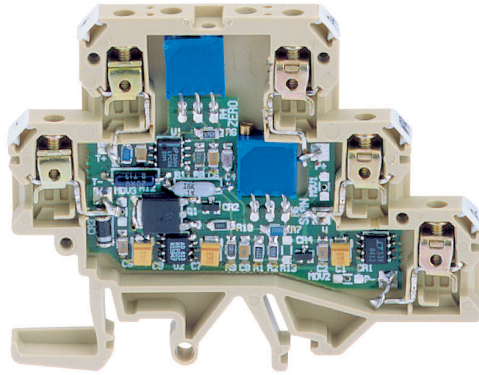
Canada

Weidmuller Ltd.
10 Spy Court
Markham, Ontario L3R 5H6
Telephone: (800) 268-4080
Facsimile: (905) 475-2798
Email: info1@weidmuller.ca
Website: www.weidmuller.ca

Mexico

Weidmuller, S.A. de C.V.
5 Sur No. 4311
Col. Huexotitla
72534 Puebla, Pue. Mexico
Telephone: (22) 37 2549
Facsimile: (22) 43 1981
Email: weidmull@acnet.net

picoPak Potentiometer Transmitter



Rated Data

Input

Range
Impedance
Maximum ratings / type of protection
Field device excitation
Other input specification

Output

Range
Load
Burnout level
Zero adjustment
Span adjustment
Protection
Other output specification

Supply

Range
Consumption

General

Accuracy / Linearity
Temperature coefficient (drift)
Transmission Frequency
Response time, 90% span
Other general specification
Status LED
Isolation (# of ports)
Operating / Storage temperature
Housing (mounting)
Dimensions in mm (length x width x height)
Wire range (conductor size)
Tightening torque / insulation stripping length
Approvals

Ordering Data

picoPak™
End plate (width)

3 wire potentiometer (slidewire position sensor)

0 -1000Ω minimum

500kΩ min.

1.2 volts, 1.2 mA max.

noise susceptibility increases with higher impedance potentiometers

DC current

4-20mA (0-100% of input)

0-500Ω or $R_{max}=(V_S-14)/0.02\ \Omega$

4mA (P+ opened), 20mA (P- opened), 23mA (opened wiper)

minimal, for calibration purposes only

minimal, for calibration purposes only

DC voltage in output loop (2 wire)

19-32Vdc, 24Vdc nominal

23mA typical (open wiper error detection)

1% typical over temperature range

-15°C to 55°C / -20°C to 70°C

DK5 (TS32 and TS35)

78.0 x 6.0 x 60.5

22-12AWG (0.5-4.0mm²)

0.4Nm / 7mm

Type

DK5/POT-I

AP (1.5mm)

Cat.No.

990881 0000

C9039986