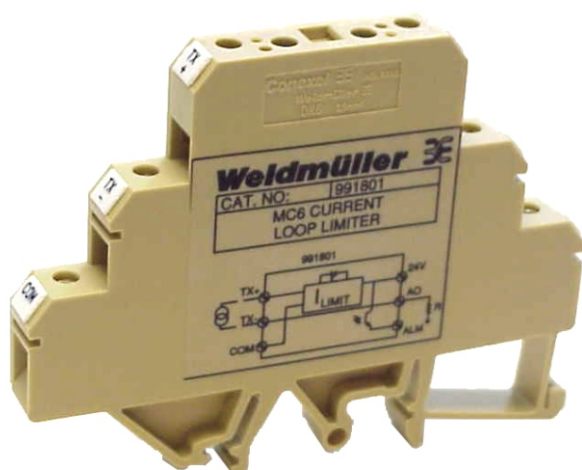


## MC6

### Current Limiter

#### for 2 Wire Transmitters (loop powered)



Shown with optional End Plate

The MC6-Current Limiter is designed to install in 4-20mA loops and prevent short circuits from causing a power supply to turn off. In the event of a short circuit the maximum current draw from the power supply is 24mA. Thus a short in one loop will not cause the power supply to turn off and shut down a complete system.

Although preventing the power supply from shutting down is desirable it is also important to know there is a fault. For this the MC6-Current Limiter provides a digital output to indicate it is in current limiting mode. When the short is corrected the module automatically reverts to normal operation.

The voltage drop across the device is just 2.5V max. so the effect on the complete loop is minimal. Mounting is on either 32mm or 35mm DIN rails. The compact package requires just 8mm of rail space (9.5mm with an end plate).

Suitable for use with two wire transmitters.

A version specifically for use in Fieldbus Foundation networks is also available.

#### Features:

- limits loop current to 24mA maximum, even when there is a direct short to ground.
- digital output to indicate short
- requires just 8mm of rail space
- CSA Class 1, Division 2 approved

#### Canada

Weidmuller Ltd.  
10 Spy Court  
Markham, Ontario L3R 5H6  
Telephone: (800) 268-4080  
Facsimile: (905) 475-2798  
Email: info1@weidmuller.ca  
Website: www.weidmuller.ca

#### Weidmuller, S.A. de C.V

Ave Ingenieros Civiles #204  
Conjunto Industrial Chachapa  
72990 Puebla, Pue. Mexico  
Telephone: (222) 286 62 47  
Facsimile: (222) 286 62 42

#### United States Weidmuller Inc.

821 Southlake Blvd.  
Richmond, Virginia 23236  
Telephone: (800) 849-9343  
Facsimile: (804) 379-2593  
Email: info@weidmuller.com  
Website: www.weidmuller.com

# MC6-Current Limiter

## Specifications:

Voltage drop across device @ 20mA 2.5Vdc max.

Maximum current in a short circuit condition 24mA

Response time 1ms

Optocoupler output

Voltage 24V ± 20%

Current 50mA max.

Status LED

red LED (on indicates fault)

Operating Temperature

0° to +50°C

Storage Temperature

-20° to +70°C

Wire Size

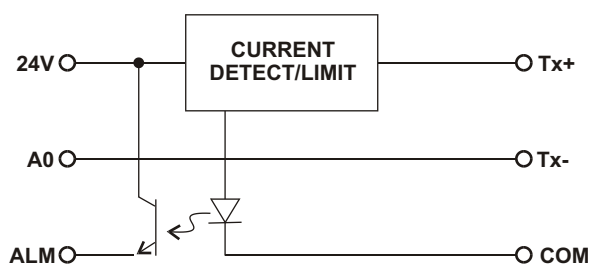
22 - 12 AWG

## Catalog Numbers

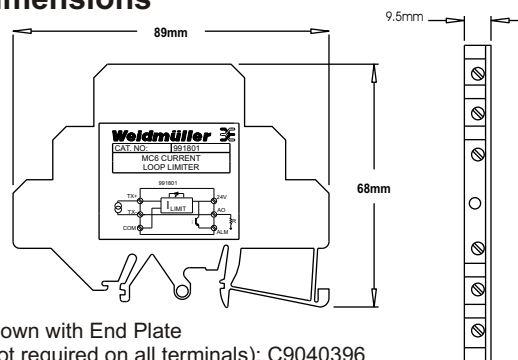
MC6- Current Limiter

991801 0000

## Block Diagram



## Dimensions



Shown with End Plate  
(Not required on all terminals): C9040396

## Connection Diagram

