

Loop Powered Display

LPD450F



The LPD450F Display allows you to display process variables.

- Large 20mm LCD display in engineering units
- 4-20mA inputs (Loop Powered)
- Inbuilt signal linearisation ($\sqrt{\quad}$, $x^{1.5}$, $x^{2.5}$ or user defined)
- Peak and Valley Display Feature
- IP67 rated
- Pipe mount bracket option



Australia

Weidmüller Pty Ltd.
43 Huntingwood Drive, Huntingwood
NSW 2148
Phone +61 (0) 2 9671 9999
Fax +61 (0) 2 9671 9900
Info@weidmuller.com.au
www.mannseries.com

United Kingdom

Weidmüller Ltd.
1 Abbey Wood Road, Kings Hill
West Malling, Kent ME19 4YT
Phone +44 1732-877032
Fax +44 1732-873873
Info@weidmuller.co.uk
www.weidmueller.com

Other countries

Weidmüller Interface GmbH & Co.
Postfach 3030
32720 Detmold
Phone +495231-14-0
Fax +495231-14-2083
info@weidmueller.com
www.weidmueller.com

LPD450F Loop Powered, Digital Indicator

Description

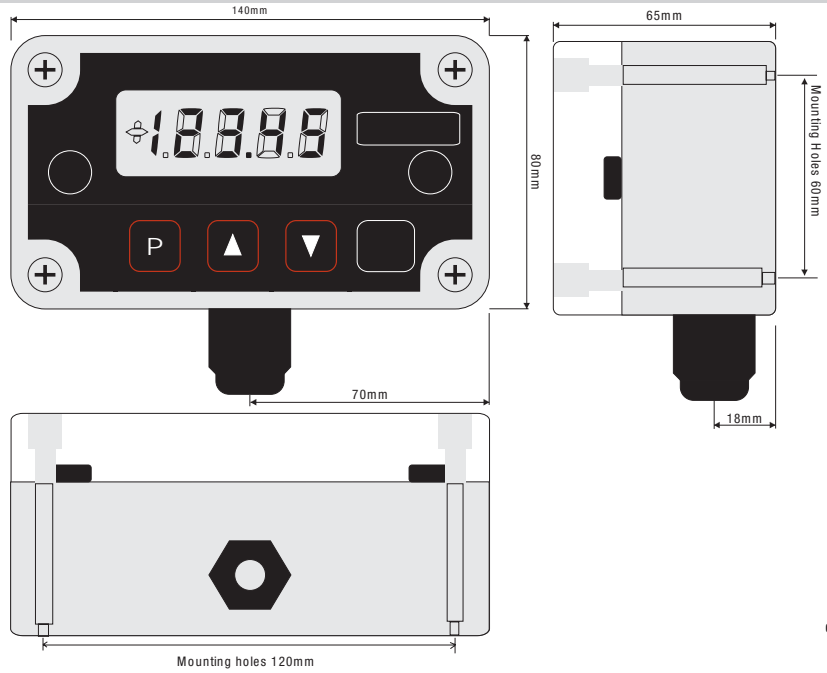
The LPD450F allows you to display process variables in any required unit of measurement.

The display is loop powered by the 4-20mA current loop with no external supply required.

The 20mm display characters make the process values easily visible at a distance even in direct sunlight.

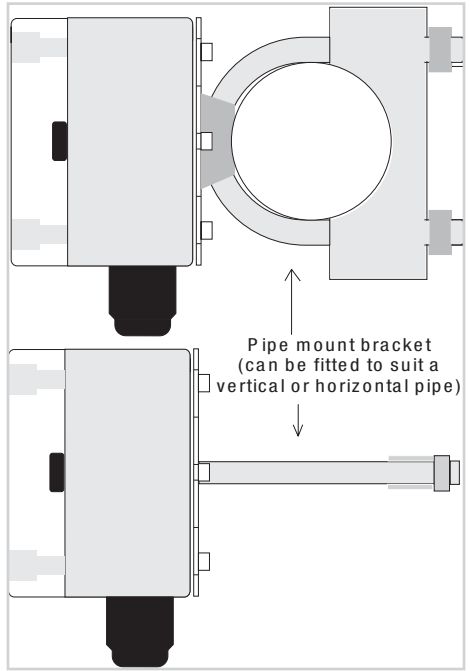
Traffolyte Labels are available as an option for both engineering units and tag numbers.

As an option, the unit can be supplied with a pipe mounting bracket suitable for both horizontal and vertical pipes.



General Technical Data

Display	
Type	4+½ digit 20mm (0.8inch) LCD
Scaling	to display in % or engineering units
Range	-19999 to +19999 (default 0.00 to 100.00)
Decimal point selection	18888 1.8888 18.888 188.88 or 1888.8
Inputs	
Type	4-20mA
Transfer function	√, x ^{1.5} , x ^{2.5} or programmable (2-21 steps)
Power supply	
Type	Powered by 4-20mA input (loop powered)
Voltage drop	less than 4.3V
General	
Accuracy	±0.05% span error ±1 count
Repeatability	±0.01% span error
Temperature drift	Zero ±0.01% per °C Span ±0.1 counts or 0.01% per °C
Response time (10-90%)	Programmable in 99 steps from 1s to 30s
Sample rate	16 per second
Display update rate	2 per second
Setup retention	100 years minimum
Insulation Co-ordination	
Ports	Input / Case
Rated Insulation Voltage	300Vrms
Measurement Category	III
Impulse Withstand	4kV (1.2 / 50)
Isolation	2 kV (between ports)
Environmental Conditions	
Operating temperature	0 to 60 °C
Storage temperature	-25 to +70 °C
Pollution Degree	2
Relative humidity	10-90% (non-condensing)
Housing	
Type	Impact resistant polycarbonate
IP rating	Dust tight and waterproof to IP67
LPD450	CAN/CSA C22.2 No. 1010.1:92 UL61010-1: 2004
	E256486
	EN50178:1998 BS EN 61326:1998 + A2
	LV Directive EMC



Ordering Information

Type	Cat. No.
(Model Input)	
LPD450F 4-20mA	7940010236

Note: For other ranges please specify LPD450F 1/2/3 where:

- 1 = Input current range (4-20mA)
- 2 = Display range
- 3 = Options (PM - Pipe mount bracket)

Default display is 0.00-100.00.