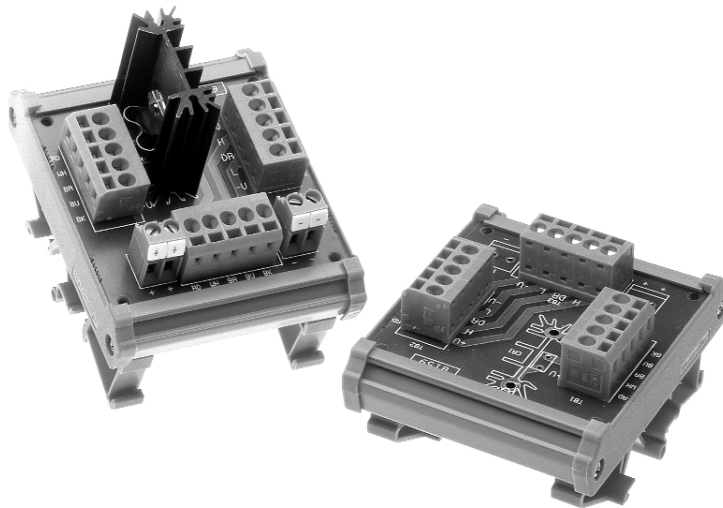


DeviceNet™

PowerTap and

DeviceTap Modules



Weidmüller's newest family of interface modules makes wiring a DeviceNet system much easier.

Device taps provide an access point for drop lines while the power tap connects a power supply to the network.

Network connections are via tension clamp terminals. Terminating wires is fast and reliable. Each terminal is marked with its function (i.e. +V, H, DR (drain), L, -V) and the colour code for the wire (RD, WH, BA (bare), BU, BK respectively).

The power tap modules include a 6A schottky diode allowing redundant or parallel power supplies to power the network. The PowerTap version A module also functions as a device tap.

Both power tap and device tap modules comply with ODVA requirements.

Each module is available in 3 configurations:

- DIN rail mounted (32mm & 35mm)
- housed in a panel mount package
- direct mount (no housing)

United States

Weidmüller Inc.
821 Southlake Blvd.
Richmond, Virginia 23236
Telephone: (800) 849-9343
Facsimile: (804) 379-2593
Email: info@weidmuller.com
Website: www.weidmuller.com

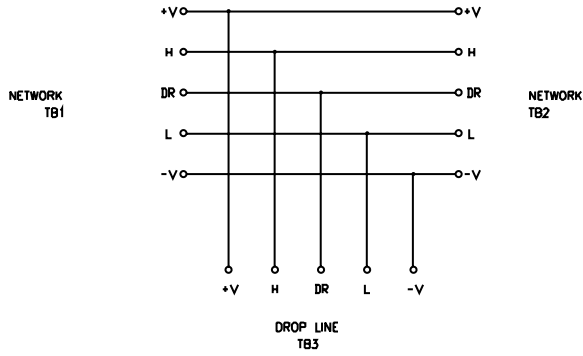
Canada

Weidmüller Ltd.
10 Spy Court
Markham, Ontario L3R 5H6
Telephone: (800) 268-4080
Facsimile: (905) 475-2798
Email: info1@weidmuller.ca
Website: www.weidmuller.ca

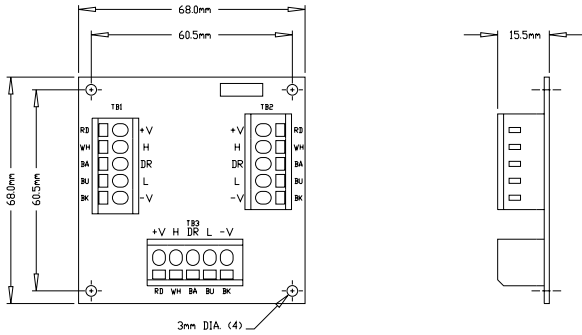
Mexico

Weidmüller, S.A. de C.V.
5 Sur No. 4311
Col. Huexotitla
72534 Puebla, Pue. Mexico
Telephone: (22) 37 2549
Facsimile: (22) 43 1981
Email: weidmull@acnet.net

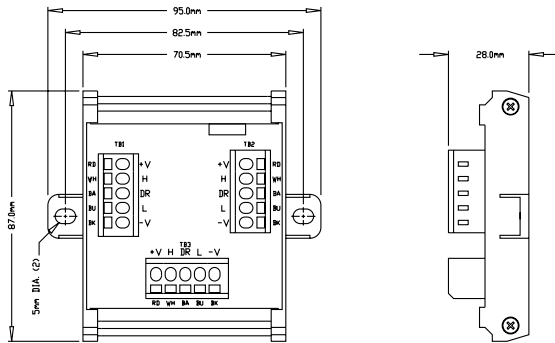
DEVICETAP



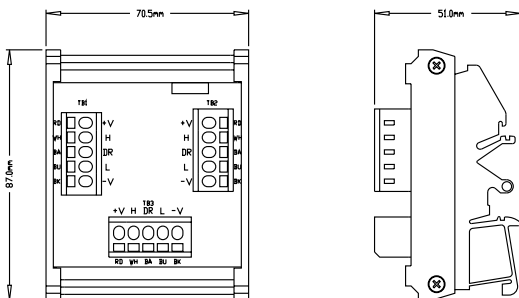
cat.#991642 0000



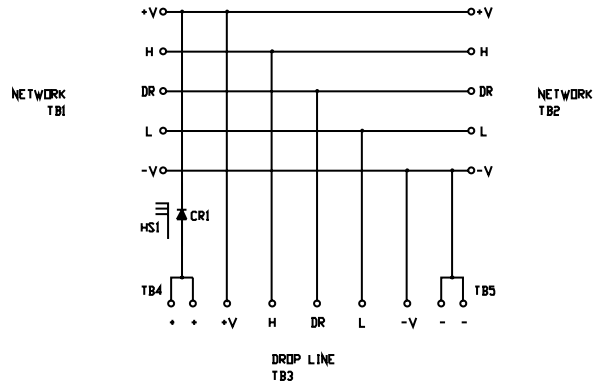
cat.#991643 0000



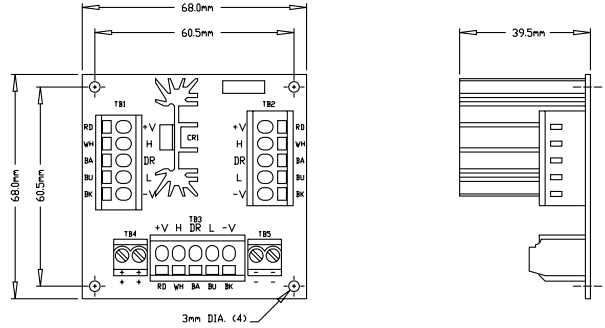
cat.#991641 0000



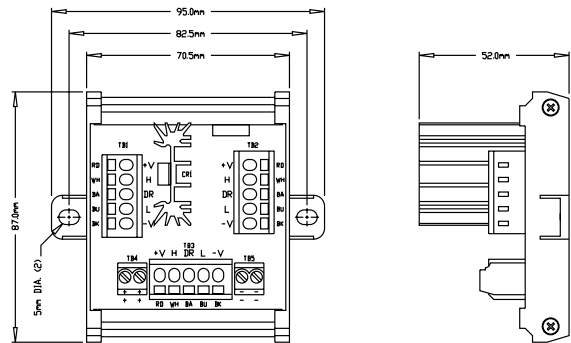
POWERTAP (version A)



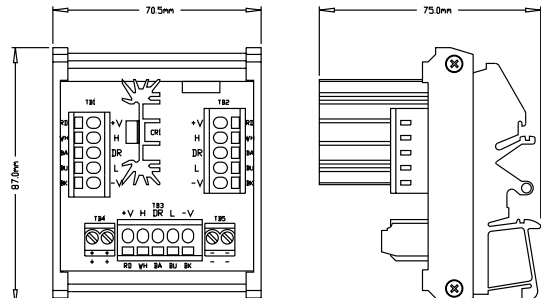
cat.#991639 0000



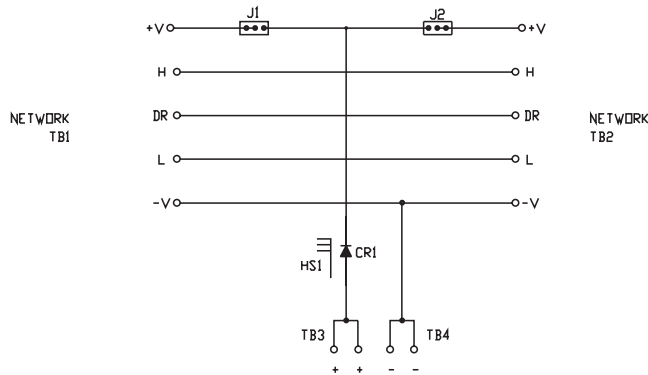
cat.#991640 0000



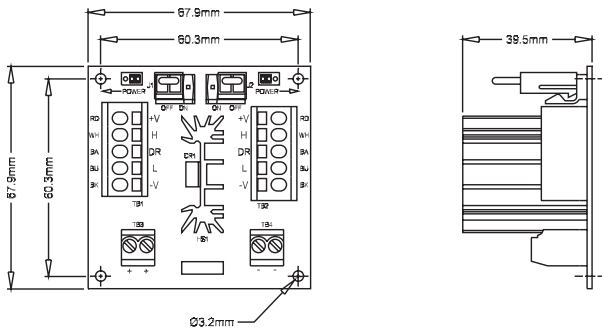
cat.#991638 0000



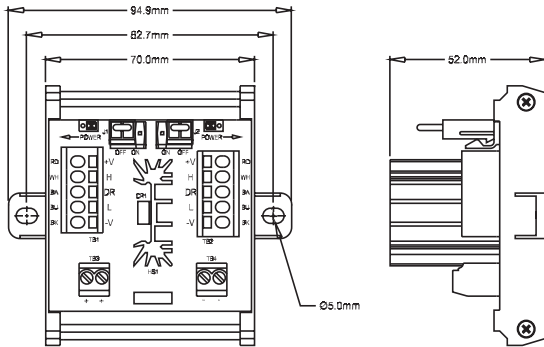
POWERTAP (version B)



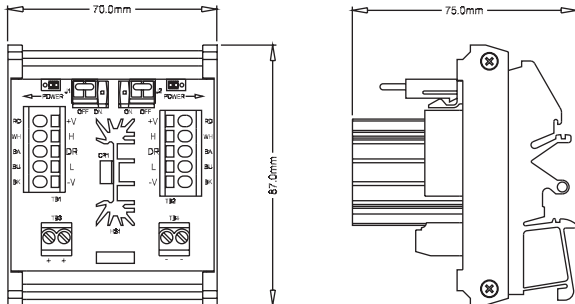
cat.#991679 0000



cat.#991680 0000



cat.#991678 0000

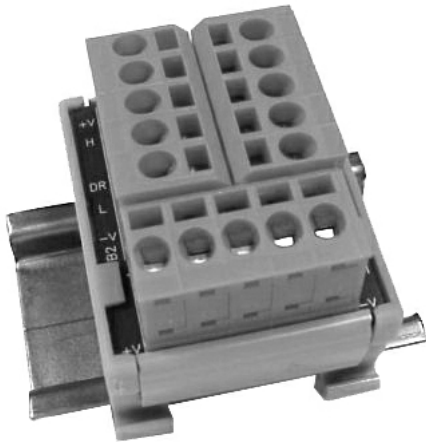


This version of PowerTap (version B) allows multiple DC power supplies to power a DeviceNet™ network without connecting the supplies in parallel. The returns (-V) of each supply are connected together but the (+V) lines can be left independent.

Two jumpers allow the user to decide which segment of the network each power supply will operate. This allows the total network current to exceed Class B levels (4.2A@24Vdc) but no single segment or power supply needs to exceed it. This is accomplished by using jumpers on each PowerTap module.

Each module includes schottky diode to prevent a failed power supply from sinking current from the network in the case of power supplies being connected in parallel.

Mini DeviceTap Module



Designed for DeviceNet™ systems, this module is a compact means of adding I/O devices to the network.

Requiring just 37mm of TS35 or TS32 DIN rail, the module provides tension clamp connections for the network and the I/O device. Tension clamp connections are quick to use, vibration resistant, and accept 26-14 AWG wires.

Catalog number: 991762 0000

