

## RSD-40A Diode Module with Alarms

# NEW



The RSD-40A modules can be used to parallel two power supplies or isolate a single supply using diodes. The parallel version works with two power supplies rated up to 20A each. The single diode isolation version is rated up to 40A.

The low-voltage drop Schottky diodes are mounted on a fan-cooled heatsink. The fan starts only when the heatsink temperature exceeds 60 deg. C and features proportional control to extend the operating life. The temperature of the heatsink is monitored and an analog output proportional to temperature and a high-temperature alarm output are provided. Terminals are also provided to monitor the presence of input voltage(s) and an output voltage.

Multiple output terminals are provided to make power distribution easier.

### Canada

Weidmuller Ltd.  
10 Spy Court  
Markham, Ontario L3R 5H6  
Telephone: (800) 268-4080  
Facsimile: (905) 475-2798  
Email: [info1@weidmuller.ca](mailto:info1@weidmuller.ca)  
Website: [www.weidmuller.ca](http://www.weidmuller.ca)

### Mexico

Weidmuller, S.A. de C.V.  
Ave. Ingenieros Civiles #204  
Conjunto Industrial Chachapa  
72990 Puebla, Pue. Mexico  
Telephone: (222) 286 62 47  
Facsimile: (222) 286 62 42

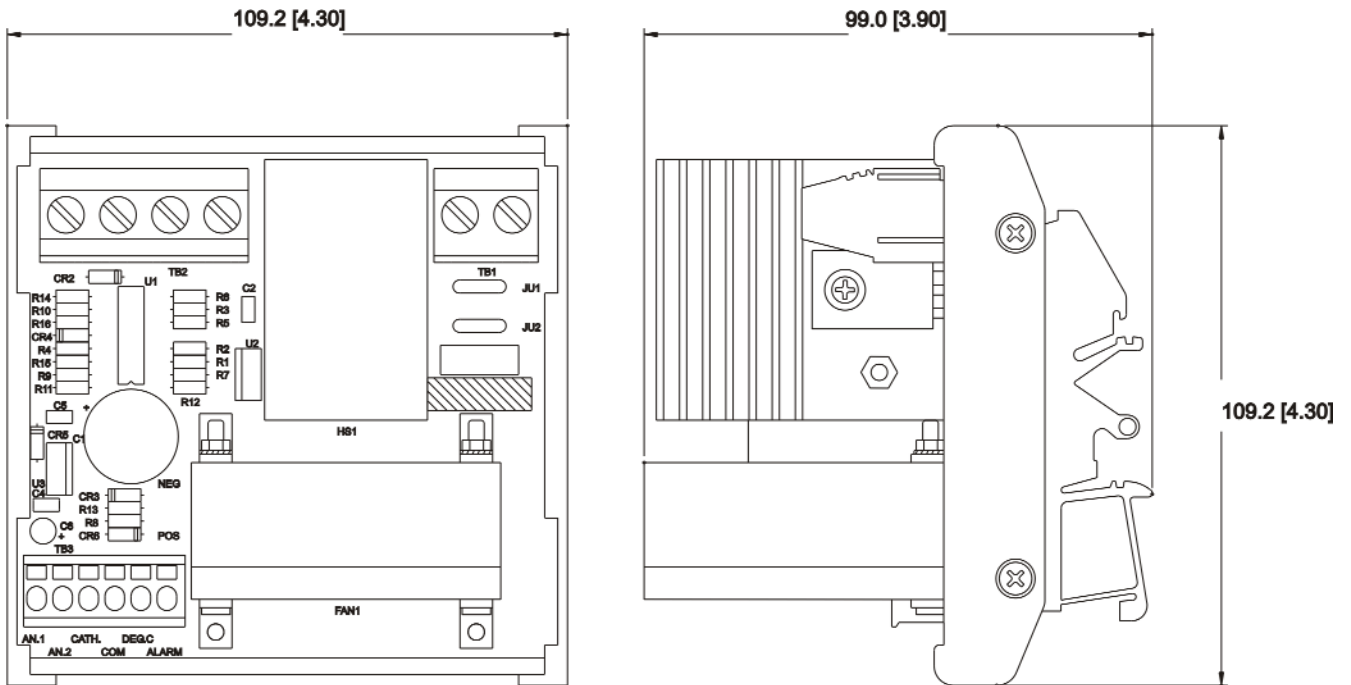
### United States

Weidmuller Inc.  
821 Southlake Blvd.  
Richmond, Virginia 23236  
Telephone: (800) 849-9343  
Facsimile: (804) 379-2593  
Email: [info@weidmuller.com](mailto:info@weidmuller.com)  
Website: [www.weidmuller.com](http://www.weidmuller.com)

# RSD-40A Diode Module with Alarms

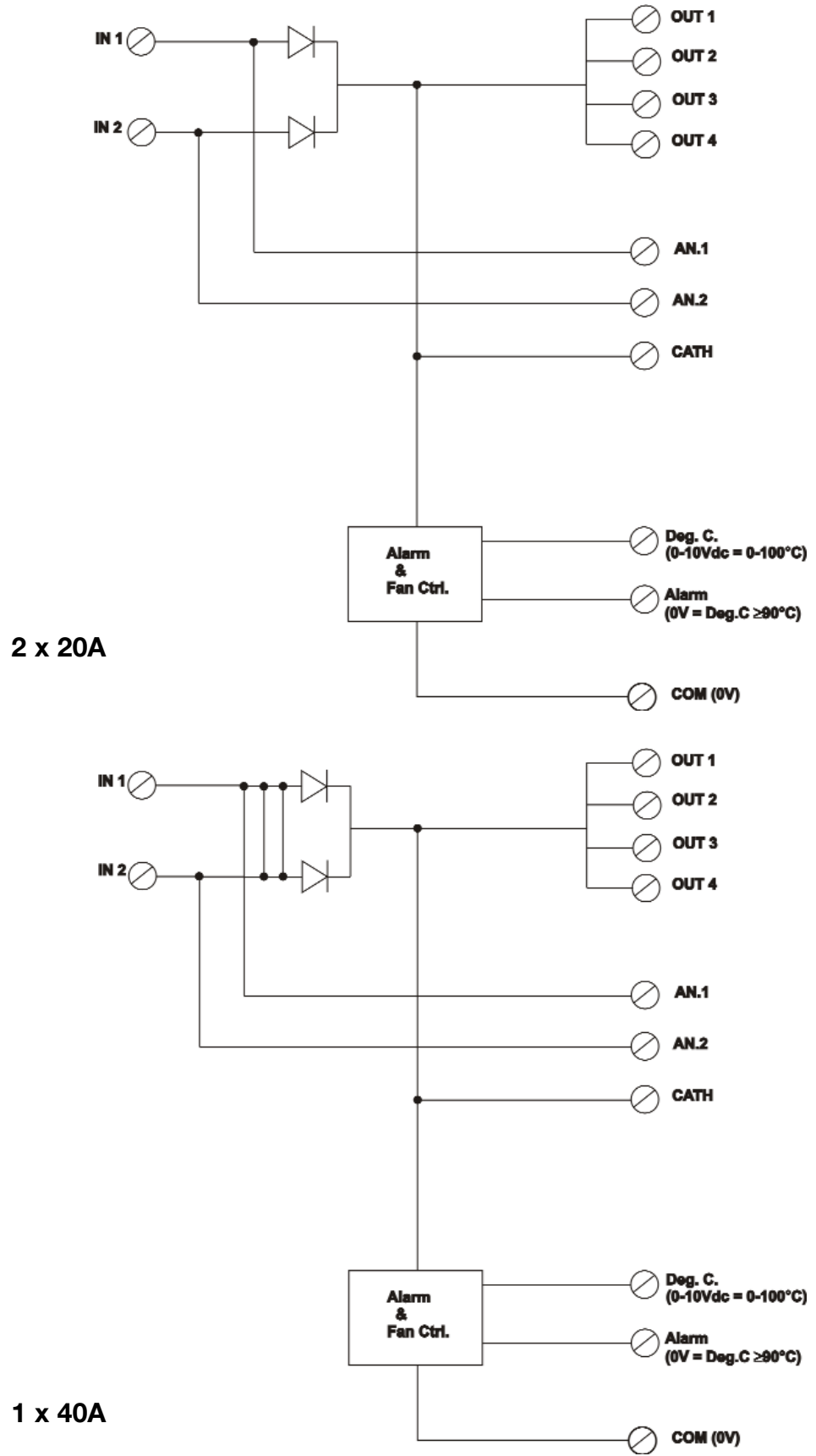
## Specifications:

Input:	Voltage	24Vdc nominal
	Current:	2 x 20A Max. or 1 x 40A max.
	Wire size:	22-6 AWG
		Connections via screw terminals
Outputs:	Voltage:	input voltage - 0.4V
	Current:	40A max.
	Wire size:	22-6 AWG
		Connections via screw terminals
Signals	Voltage:	"AN.1" = input 1 (2x20A version) "AN.2" = input 2 (2x20A version) "AN.1" = "AN.2" = input voltage (1x40A version)
	Temperature:	"CATH" = output voltage 0-10Vdc = 0-100 deg. C 15Vdc max. output (150 deg. C)
	Alarm:	24Vdc under normal operating conditions 0Vdc if heatsink temperature exceeds 90 deg. C
		Wire size: 26-14 AWG
		Connections via top entry tension clamp terminals
Other	Fan:	turns -on when heatsink temperature exceeds 60 deg. C Proportional control (fan speed increases as heatsink temperature increases - fully on at 80 deg. C).
	Operating temp.:	0-40 deg. C. ambient
	Mounting:	32mm or 35mm DIN rails
Approvals:		CSA pending
Catalog number:	2x20A:	7940005219
	1x40A:	7940005218



DIMENSIONS ARE IN mm, [inches].

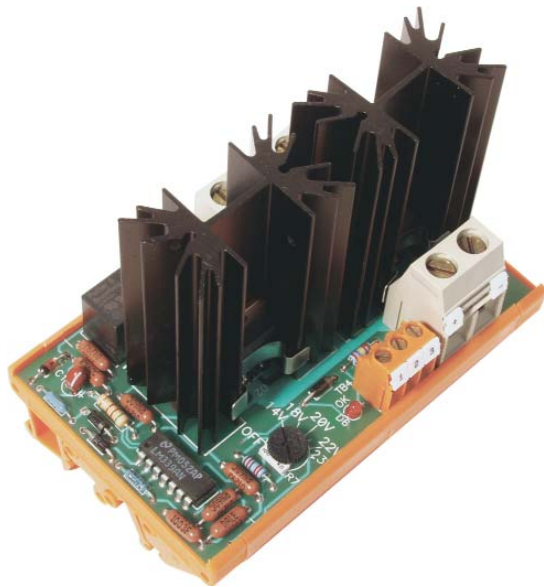
# RSD-40A Diode Module with Alarms



## Other New Power Supply and Accessory Products

### RS-SNT 1000W

- 360-480V, 3 phase input
- 24Vdc at 40A continuous, 80A for 1 second output
- analog outputs for output voltage, output current and internal temperature
- 1 form C (SPDT) fault relay rated 1A
- DIN rail or panel mounted
- Catalog number: **7918960324**



### Diode Module with Voltage Sense

- 2 power supply inputs and 1 output rated 30A total
- low-voltage drop Schottky diodes isolate inputs
- user adjustable voltage sense controls fault relay (relay can be configured to switch if either input voltage drops below a 14-24Vdc set-point)
- 1 form C (SPDT) fault relay rated 6A
- mounts on 32mm or 35mm DIN rails
- Catalog number: **9987390000**