

**New!**

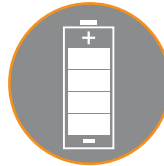
# Uninterruptible Power Supply Solutions

## Secure Energy in Automation



### Long battery service life

Temperature-compensated characteristic charge curve ensures the best battery charge for maximized battery life.



### Choice of protection

Protection from short/transient and/or long power failures.



### Quick error analysis

Charging level indicator, status and error indicators provide rapid error analysis.



### Wide power functionality

Modular design allows load distribution for reliable DC power.

### Power interruption protection

Buffer module manages 24VDC interruptions up to 6s (1A). Up to 10 years Service Life.



UPS Control Unit



Battery Module

Buffer Module

Let's Connect

[www.weidmuller.com](http://www.weidmuller.com)

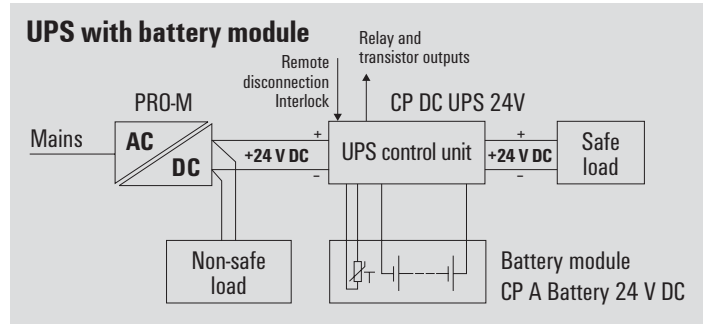
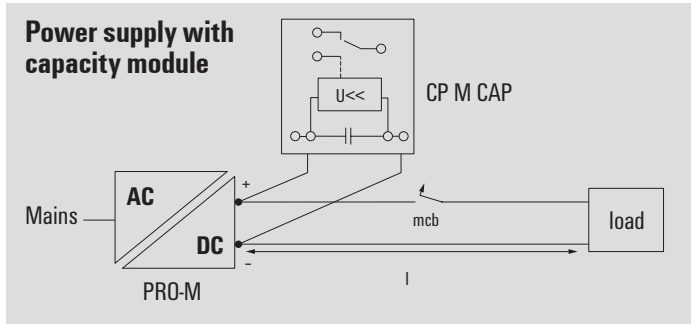
**Weidmüller**

# Selection table

## UPS Control Modules, Power Supplies, Batteries, Buffer Module

Series/ family	Input				Output					Additional functions			Part Number	
	Single-phase	Three-phase	AC (V)	Input frequency (Hz)	DC (V)	DC (V)	Adjustable range (V)	Rated current (A)	Power rating (W)	Power boost	Status relay	Parallel connection option		Additional modules LED DC OK
<b>PRO-M</b>														
CP M SNT 70W 24 V 3 A	●		85...264	47...63	80...370	24	22,5...29,5	3,00	70,00	120%	yes, max. 5	●	●	8951330000
CP M SNT 120W 24 V 5 A	●		85...264	47...63	80...370	24	22,5...29,5	5,00	120,00	120%	yes, max. 5	●	●	8951340000
CP M SNT 180W 24 V 7,5 A	●		85...264	47...63	80...370	24	22,5...29,5	7,50	180,00	120%	yes, max. 5	●	●	8951350000
CP M SNT 250W 24 V 10 A	●		85...264	47...63	80...370	24	22,5...29,5	10,00	240,00	120%	yes, max. 5	●	●	8951360000
CP M SNT 500W 24 V 20 A	●		85...264	47...63	80...370	24	22,5...29,5	20,00	480,00	120%	yes, max. 3	●	●	8951370000
CP M SNT 1000W 24 V 40 A	●		85...264	47...63	80...370	24	22,5...29,5	40,00	960,00	120%	yes, max. 3	●	●	8951380000
CP M SNT3 120W 24 V 5 A		●	320...575	47...63	450...870	24	22,5...29,5	5,00	120,00	120%	yes, max. 5	●	●	8951390000
CP M SNT3 250W 24 V 10 A		●	320...575	47...63	450...870	24	22,5...29,5	10,00	240,00	120%	yes, max. 5	●	●	8951400000
CP M SNT3 500W 24 V 20 A		●	320...575	47...63	450...870	24	22,5...29,5	20,00	480,00	120%	yes, max. 3	●	●	8951410000
CP M SNT3 1000W 24 V 40 A		●	320...575	47...63	450...870	24	22,5...29,5	40,00	960,00	120%	yes, max. 3	●	●	8951420000
CP M DM20 (diode module)					18...30	Input-0.7	n/a				●			1222210000
CP M DM40 (diode module)					18...30	Input-0.7	n/a				●			1222220000
CP M RM24 (relay module)					18...30		n/a				●			1222230000
CP M CAP (capacity module)					18...30		n/a				●			1222240000
<b>DC/DC</b>														
CP DCDC 250 W 24 V 10 A					18...31.2		22.5...29.5	10,00	250,00					1313320010
<b>UPS</b>														
CP DC BUFFER 24 V 20 A					22.5...30	24	24	20	240		●		●	1251220000
CP DC UPS 24 V 20A/10 A					20...30	24	$U_{in}-0,3 V$	20/10	480/240		●		●	1370050010
CP DC UPS 24 V 40 A					20...30	24	$U_{in}-0,3 V$	40,00	960,00		●		●	1370040010
CP A BATTERY 24 V DC 1,3 Ah						24		5 A/6 min	1,3 Ah		yes, max. 2	●		1406930000
CP A BATTERY 24 V DC 3,4 Ah						24		10 A/11.3 min	3,4 Ah		yes, max. 2	●		1251070000
CP A BATTERY 24 V DC 7,2 Ah						24		20 A/11.5 min	7,2 Ah		yes, max. 2	●		1251080000
CP A BATTERY 24 V DC 12 Ah						24		20 A/22.7 min	12 Ah		yes, max. 2	●		1251090000
CP A BATTERY 24 V DC 17 Ah						24		20 A/34.2 min	17 Ah		yes, max. 2	●		1251110000

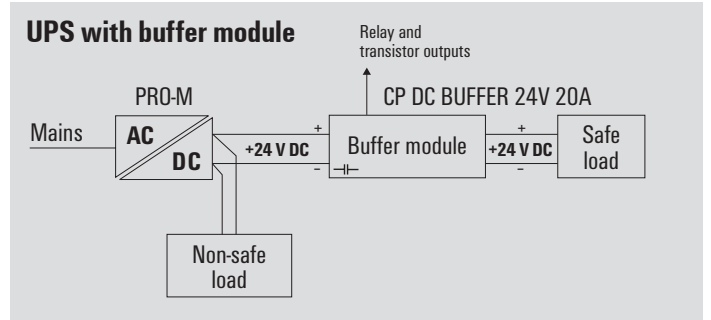
### Example Applications



### Information

Information is available for download on the web at [www.weidmuller.com](http://www.weidmuller.com). Printed catalog versions are also available and can be ordered online.

Sales Tool	Description
LIT1404	Uninterruptible Power Supply Solutions Datasheet
1440420000	Solutions for Uninterruptible Power Supplies Brochure



**Weidmuller, Canada**  
 10 Spy Court  
 Markham, Ontario L3R 5H6  
 Telephone: (800) 268-4080  
 Facsimile: (877) 300-5635  
 Email: info1@weidmuller.ca  
 Website: www.weidmuller.ca

**Weidmuller, Mexico**  
 Blvd. Hermanos Serdán 698,  
 Col. San Rafael Oriente  
 Puebla, Puebla, Mexico  
 C.P. 72029  
 Telephone: 01 222 2686267  
 Facsimile: 01 222 2686219  
 Email: clientes@weidmuller.com.mx  
 Website: www.weidmuller.com.mx

**Weidmuller, United States**  
 821 Southlake Blvd.  
 Richmond, Virginia 23236  
 Telephone: (800) 849-9343  
 Facsimile: (804) 379-2593  
 Email: info@weidmuller.com  
 Website: www.weidmuller.com